

ALL PARTS ARE BENT ON A 4.5" CLR

MATERIAL: 1 1/2" X .095 DOM

100

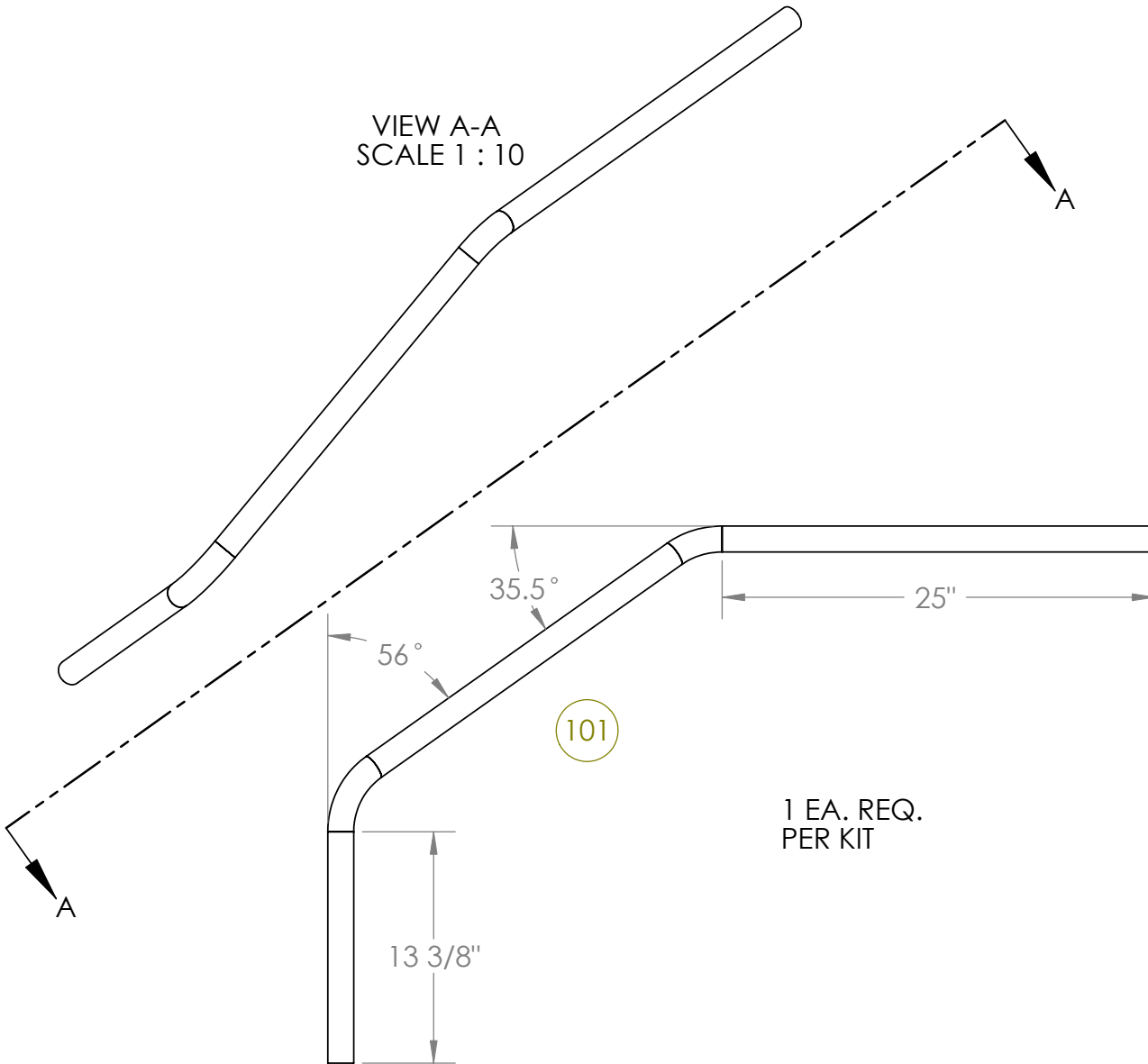
1 REQ.
PER KIT

	MATERIAL:	WEIGHT:	REV:	TITLE:
	DATE: 8/10/07			Main Hoop
	DRAWN BY: D. Gilbert		SHEET 1 OF 9	FILE NAME:
			SCALE: 1:6	SM Cage Kit 4.5

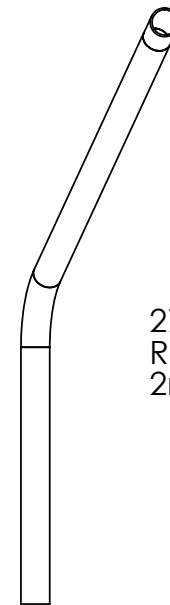
102

NOTE: Part #'s 101 & 102 are the same with the exception # 102 is the opposite of #101.

VIEW A-A
SCALE 1 : 10



1 EA. REQ.
PER KIT



27 Degree
Rotation on
2nd Bend

MATERIAL:

WEIGHT:

REV:

TITLE:



DATE: 8/10/07

DRAWN BY:

D. Gilbert

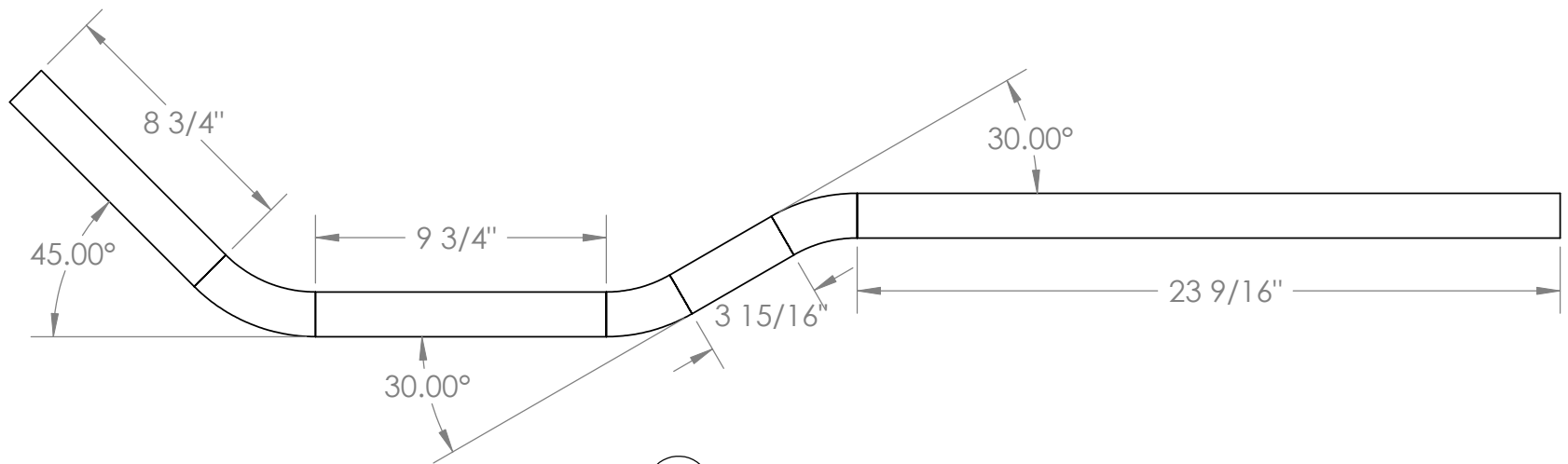
SHEET 2 OF 9

SCALE: 1:6

Door Frame Bars

FILE NAME:

SM Cage Kit 4.5

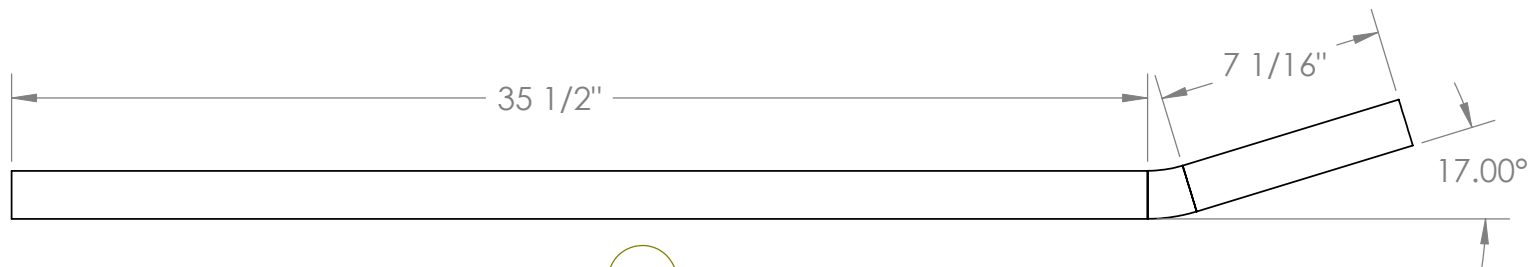


115

1 REQ.
PER KIT

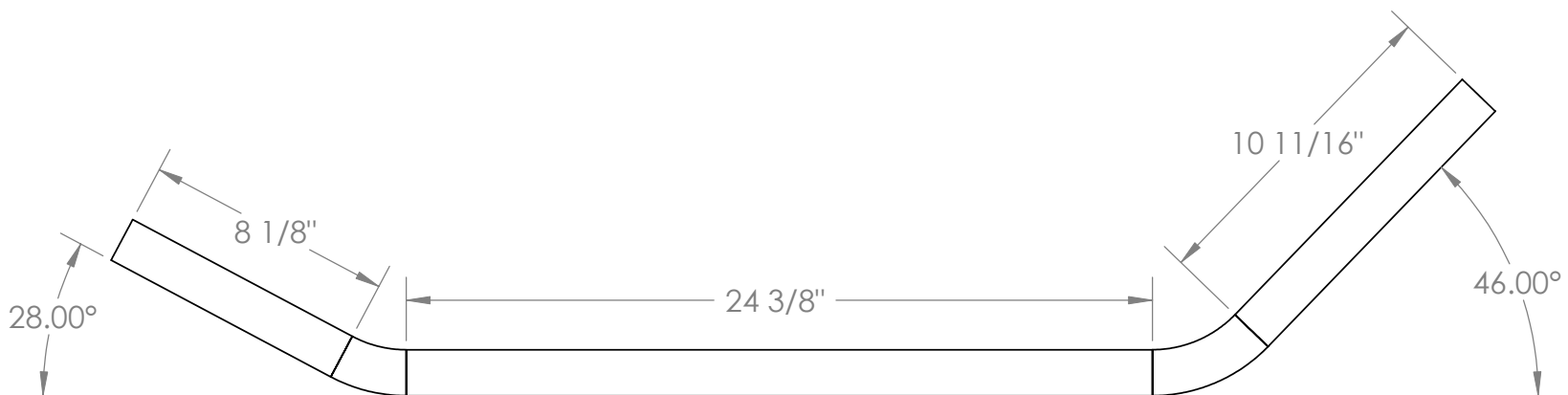


MATERIAL:	WEIGHT:	REV:	TITLE:
	DATE: 8/10/07		Seat Brace Bar
	DRAWN BY: D. Gilbert	SHEET 4 OF 9	FILE NAME:
		SCALE: 1:6	SM Cage Kit 4.5



104

2 REQ.
PER KIT



103

2 REQ.
PER KIT

MATERIAL:

WEIGHT:

REV:

TITLE:



DATE: 8/10/07

DRAWN BY:

D. Gilbert

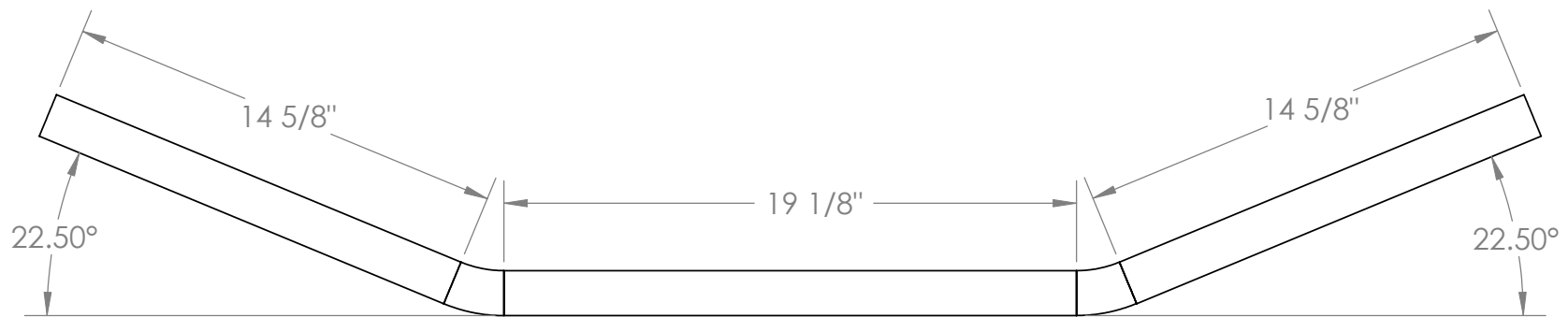
SHEET 5 OF 9

SCALE: 1:6

Door Bars

FILE NAME:

SM Cage Kit 4.5



124

1 REQ.
PER KIT



MATERIAL:	WEIGHT:	REV:	TITLE:
	DATE: 8/10/07		Optional Dash Bar
	DRAWN BY:	SHEET 6 OF 9	FILE NAME:
	D. Gilbert	SCALE: 1:6	SM Cage Kit 4.5

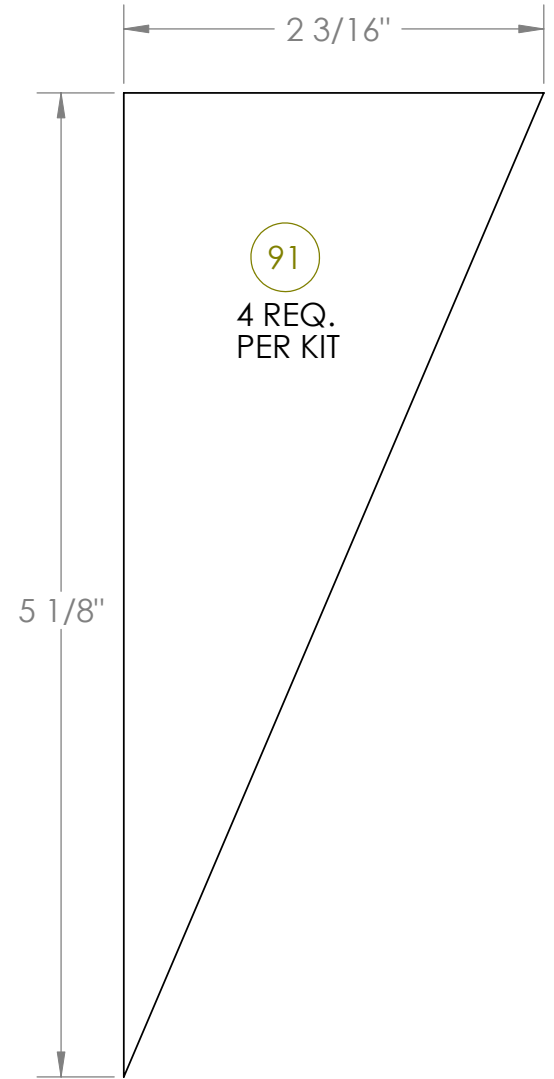
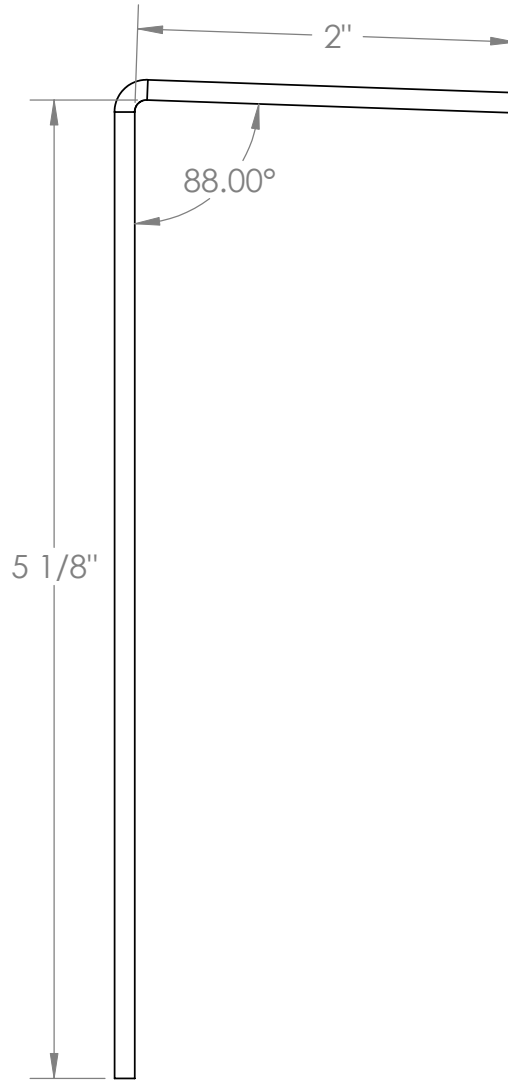
5

4

3

2

1



MATERIAL:

WEIGHT:

REV:

TITLE:



DATE: 8/10/07

DRAWN BY:

D. Gilbert

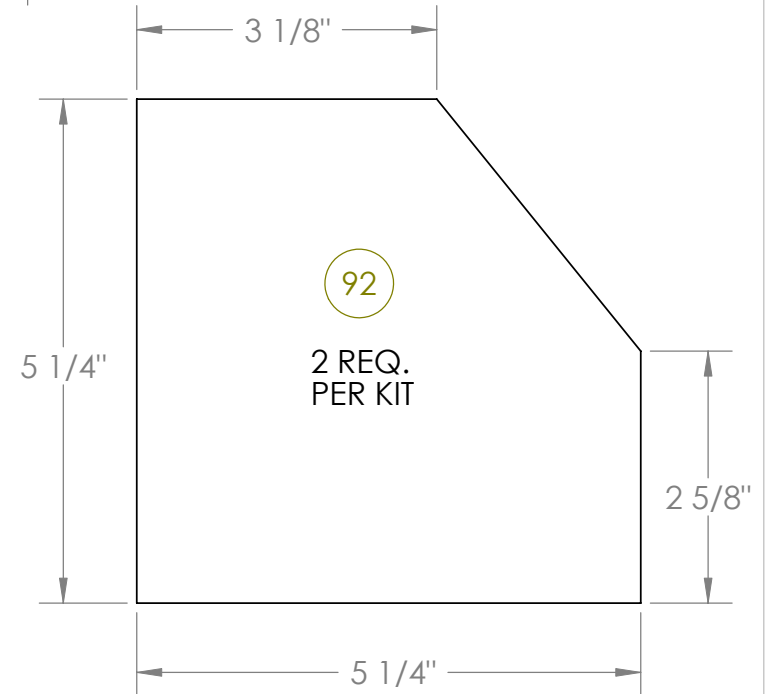
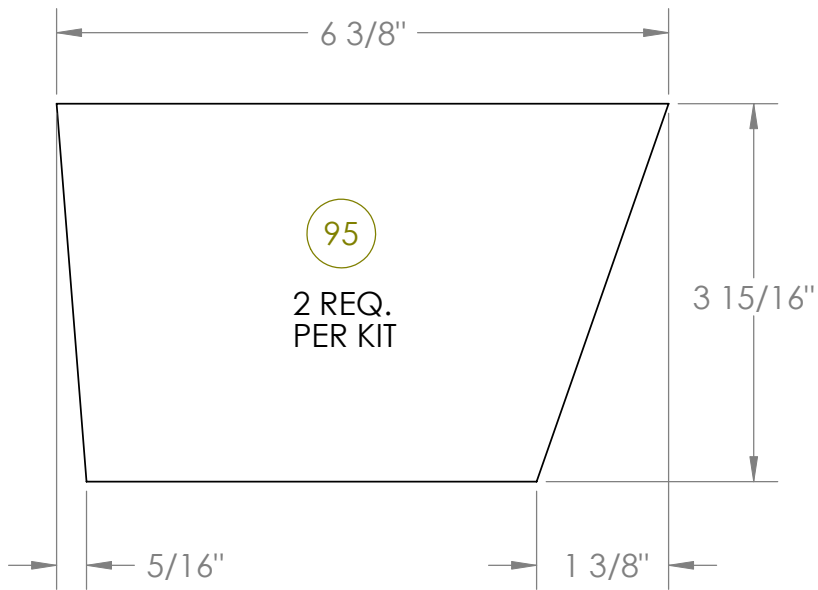
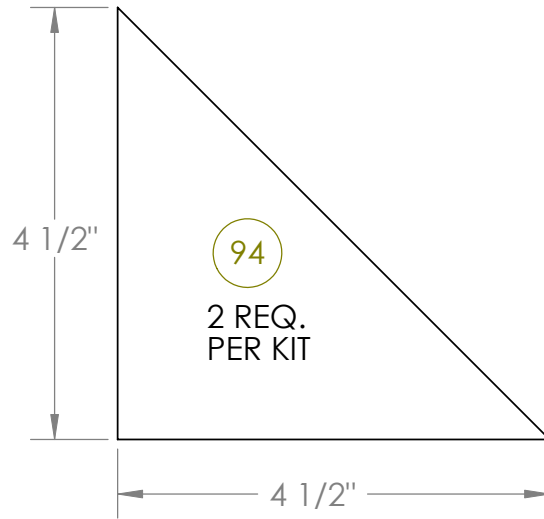
SHEET 7 OF 9

SCALE: 1:6

Front Perch Plates

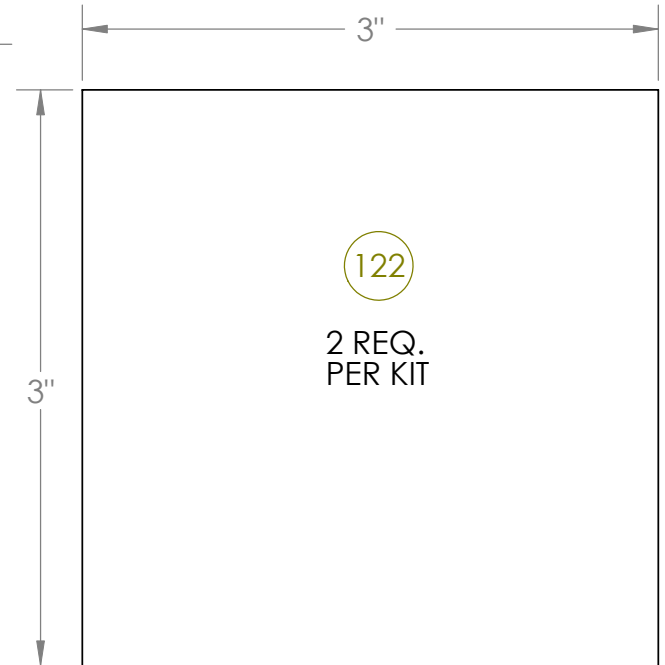
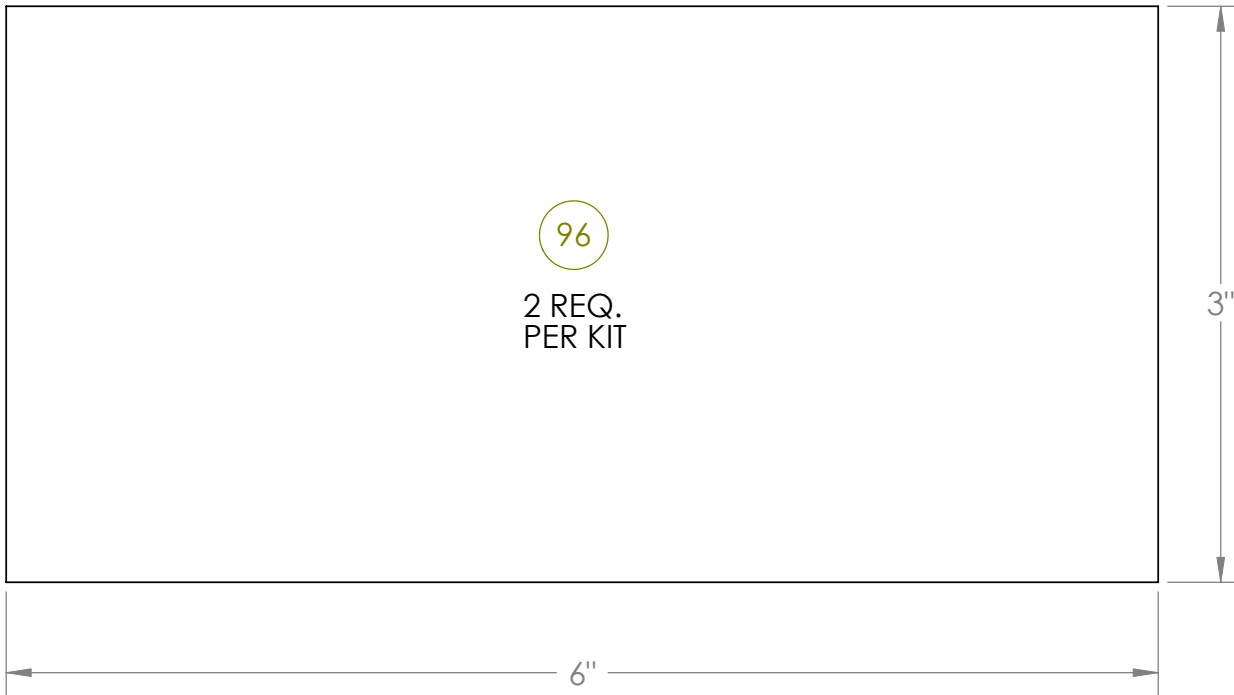
FILE NAME:

SM Cage Kit 4.5



MATERIAL:	WEIGHT:	REV:	TITLE: Hoop Perch Plates
	DATE: 8/10/07		
	DRAWN BY: D. Gilbert	SHEET 8 OF 9	FILE NAME: SM Cage Kit 4.5
		SCALE: 1:2	





	MATERIAL:	WEIGHT:	REV:	TITLE: Firewall & Rear Down Tube Plates
	DATE: 8/10/07	DRAWN BY: D. Gilbert	SHEET 9 OF 9	FILE NAME: SM Cage Kit 4.5
			SCALE: 1:1	